

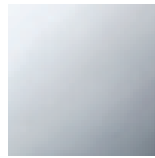


Bathtub - IMO

Tube spout for wall-mounted installation - polished chrome

Article number: 13 801 670-00

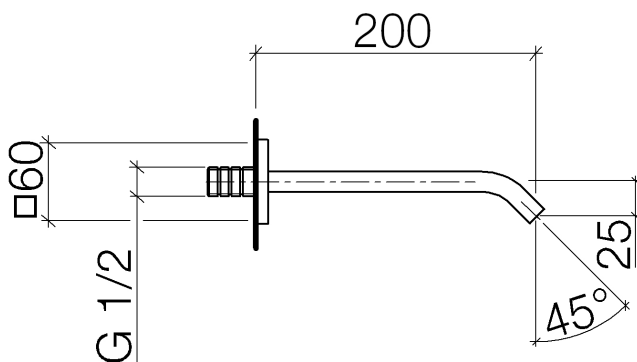
- 7-7/8" Projection
- Rectangular aerator
- 1-1/2" hole diameter
- 1/2" connection
- Water flow rate limited to max. 6.6 gpm



polished chrome

Accessory is required for this item.

Dimensional drawing

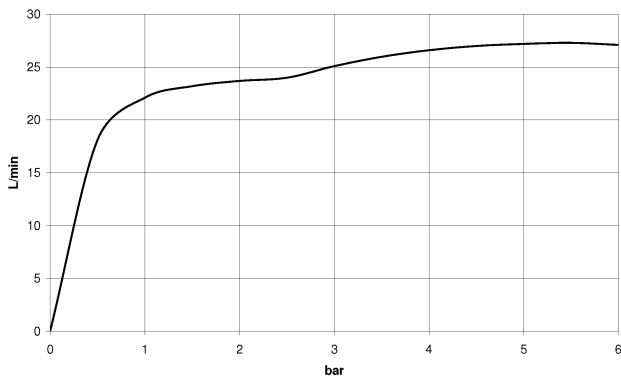


All dimensions in mm / inch = mm x 0,0394



Bathtub - IMO
Tub spout for wall-mounted installation - polished chrome
Article number: 13 801 670-00

Flow rate chart





Bathtub - IMO

Tub spout for wall-mounted installation - polished chrome

Article number: 13 801 670-00

Other surface finishes



platinum matte

13 801 670-06

More custom finish options are available via special production (xTra Service). Please see our finish matrix for availability and pricing or contact a Dornbracht representative.

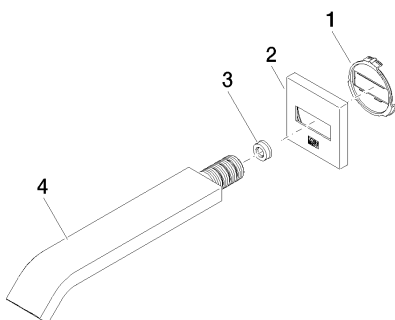
Required article



35 080 970-90 0010

Rough-in adapter -

Spare parts list



Number	Item Number	Designation	Number of units
--------	-------------	-------------	-----------------